

**New Design Cost-effective  
NM Series Integrated  
Solar Street Light**



# INTRODUCTION

- 01 Front Cover
- 02 Catalog
- 03 Recommended installation height
- 04 Specification
- 05 Exploded View
- 06 More Details
- 07 Light Distribution Curve
- 08 Controller Instruction
- 09 Remote Control Instruction
- 10 Power Options
- 11 Package Detail
- 12 Installation Instruction
- 13 Applications

# Recommended installation height

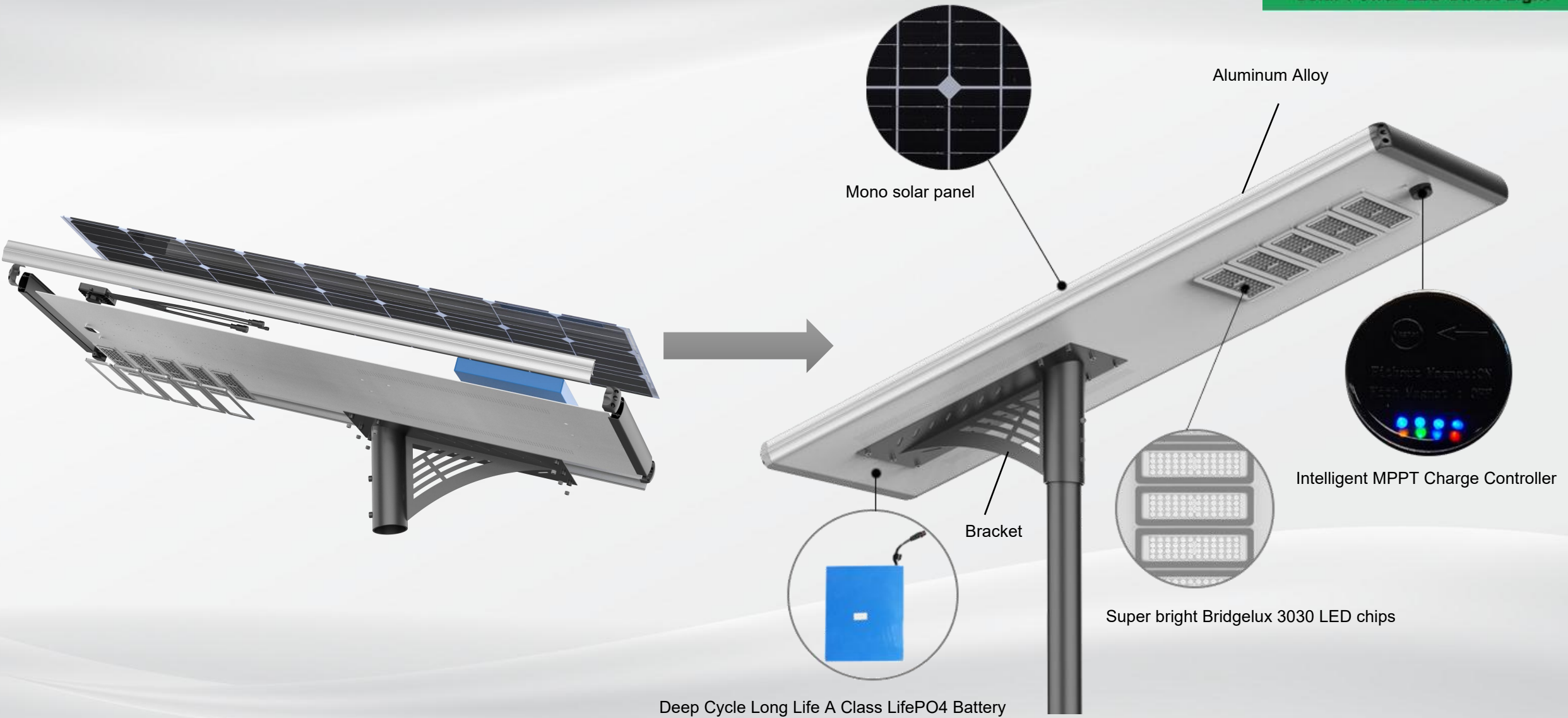




# Specification

Model	NM40W	NM60W	NM80W	NM100W	NM120W	NM150W	NM200W	NM250W	NM300W	NM400W
Real set up power	40W	60W	80W	100W	120W	150W	200W	250W	300W	400W
Lumen	170LM/W									
Color temperature	2700K-6500K can be customized									
Material	High-end aluminum alloy									
Battery	12.8V 15AH	12.8V 30AH	12.8V 45AH	12.8V 45AH	12.8V 60AH	12.8V 75AH	25.6V 45AH	25.6V 60AH	25.6V 75AH	25.6V 90AH
Solar panel	18V 60W	18V 80W	18V 100W	18V 130W	18V 170W	18V 200W	36V 220W	36V 270W	36V 330W	36V 430W
LED	Bridgelux 3030									
Waterproof IP grade	IP65									
Charge time	6 hours (bright sunshine)									
Discharge time	Lighting 12 hours/day, support 5-7 rainy and cloudy days (with motion sensor)							Lighting 12 hours/day (without motion sensor)		
Installation diameter	70-76mm	70-76mm	70-76mm	70-76mm	70-76mm	70-76mm	70-76mm	70-76mm	70-76mm	70-76mm
Product size	785*410*60 MM	940*410*60 MM	1220*410*60 MM	1675*410*60 MM	1445*600*60 MM	1615*600*60 MM	1750*600* 60MM	1580*780* 60MM	1800*900* 60MM	1795*1110* 60MM
Product weight(G.W)	9.5KG	11KG	13KG	20.3KG	26KG	29KG	32.5KG	38KG	48KG	58KG
Working temperature	-25°C—+65°C									
Certificate	CE ROHS IP65									
Warranty	3 or 5 years									
Remote control	yes, provide 1pc per bulk order									

# Exploded View

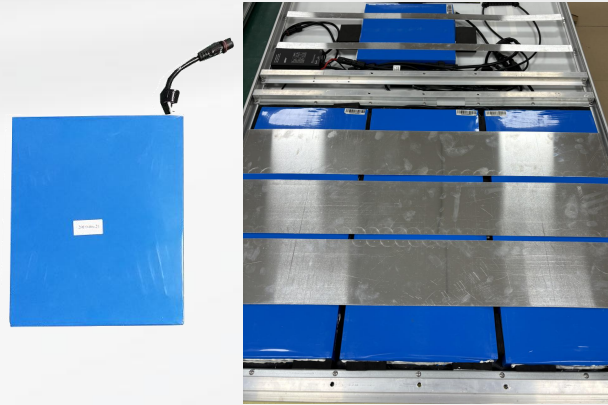


## More Details



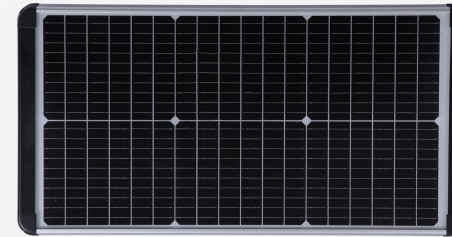
**High Lumen LED  
Bridgelux 3030 LED Chips**

Super bright brand  
BridgeLux led chip  
can reach 210lm/w  
100,000 hours lifespan  
professional optical



**Deep Cycle Long Life  
LifePO4 Battery**

Brand New A grade LifePO4 battery  
>2000 times deep cycle  
8-10 years lifespan  
Working temperture -25°C~ 65°C  
When the temperture below -25°C or  
above 65°C, the battery protection  
board will auto-start protection  
function, make sure the battery  
doesn't get burnt out.



**High Efficiency  
Mono Solar Panel**

Conversion rate can reach  
21%~23%,above 20%-30%  
than poly solar panel,faster  
charging  
25 years lifespan

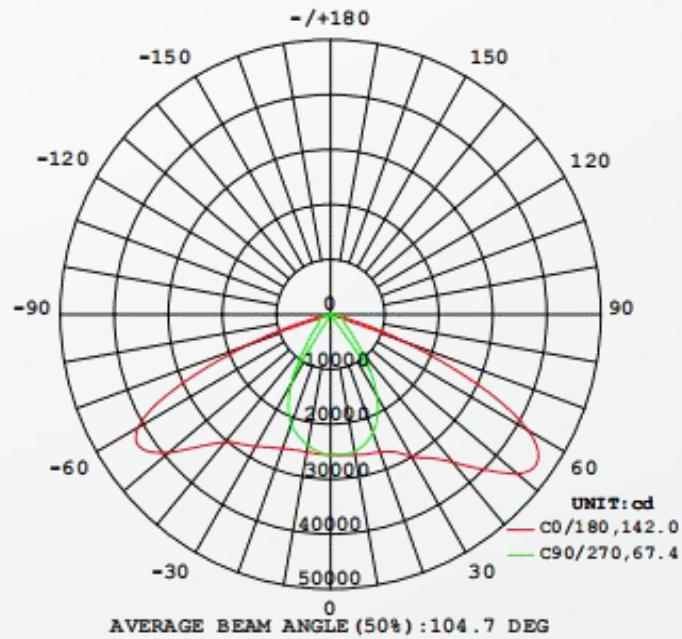


**Intelligent  
MPPT Charge Controller**

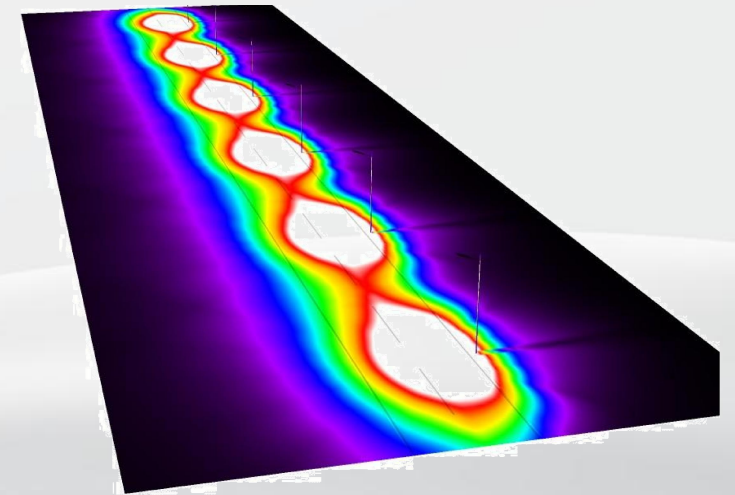
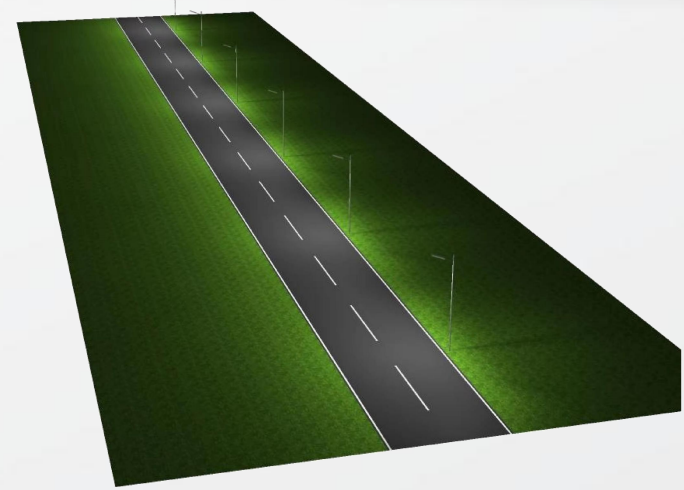
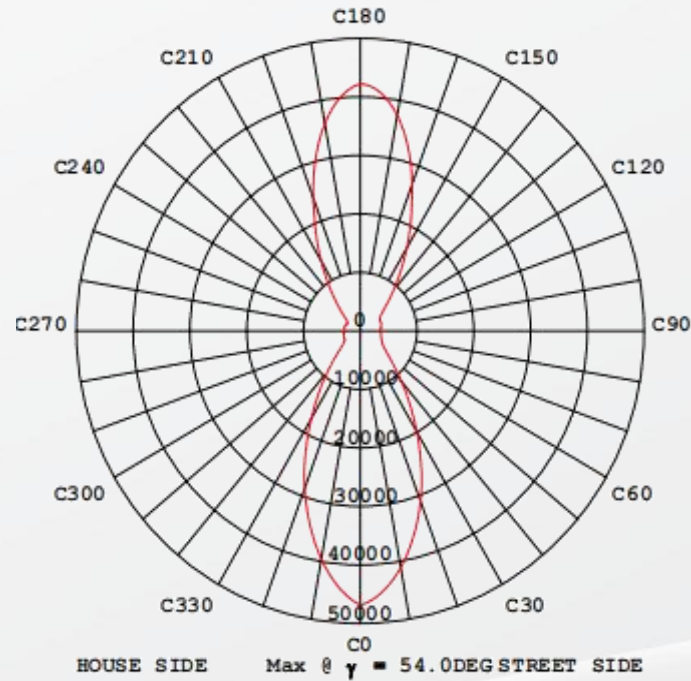
When the power is equal to or less  
than 40%, the power is auto  
allocated to ensure that the  
duration of the lamp is on.  
With temperature control system,  
when temperature more than 65°C  
or lower -25°C, auto disconnection  
for protection.

# Light Distribution Curve

INTENSITY DISTRIBUTION DIAGRAM  
IN C PLANS

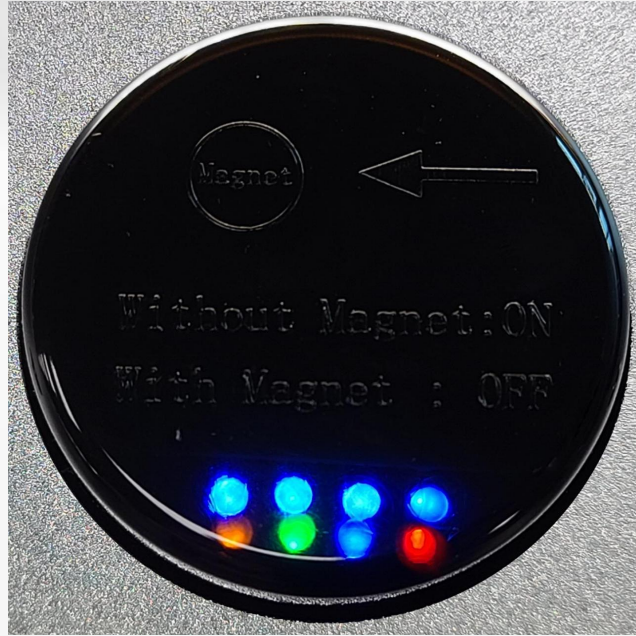


MAX INTENSITY CONE SURFACE  
DISTRIBUTION DIAGRAM



# Controller Instruction

R&D by ourselves, patent design controller + power switch+ microwave motion sensor all in one box.



## 1. With Magnet Switch



Before mounted on the pole,  
take away the magnet iron sheet.

## 2. With Battery Power Indicator



## 3. With Status Indicator LED



1. There are four blue ledspower indicators, each blue light represents 25% of the power
2. Four blue leds light on means 75%-100% power, three blue leds light on means 50%-75% power, two leds light on means 25%-50% power, one led light on means 25% power.

Solar Light Controller Status Indicator		
Indicator Light	Status	Indicator Light description
① Yellow (Motion sensor)	On	Movement Detected
	Off	Without Movement Detected
② Green (LED)	On	LED with output: Light on
	Off	LED without output: Light off
	Flicker	LED Short circuit
③ Blue (Battery)	On	Battery power enough for work
	Off	Battery Without output
	Flicker	Battery undervoltage
④ Red (Solar panel)	On	Battery charged to full power
	Off	Solar panel without output (at night)
	Flicker	Solar panel is charging the battery
⑤ Red & Green & Blue	Cycle light on in sequence	Battery cable plugged in backwards, poor battery connection contact, faulty battery, no battery connected

# Remote Control Instruction

Equipped with a 433 remote control, which uses a drone remote control solution. The remote control distance can reach 30 meters, which can directly penetrate obstacles. At the same time, it can control multiple lamps.

Four lighting modes are available. The most suitable mode can be selected according to the seasonal sun.



## User manual for remote controller:

**DEMO:** No matter day or night, light "on" for 1 minute.  
Only for test use.

**OFF:** No matter day or night, light "OFF".

**L:** At night, 12hrs full power.

**T:** At night, 4 hrs full power + 8hrs 25%.

**M:** At night, 12hrs motion sensor control.

**U:** At night, 4hrs full power + 8hrs motion sensor control.

**Note:** After press "OFF", The light off and won't on anymore.  
Please Press "M" to resume, it will working with "M" mode again.



# With Microwave Sensor

Sensor distance reach 12m. more sensitive than PIR sensor. Energy saving.

100% Power Lighting when people go through

30% Power Lighting when no people

Height: 10m

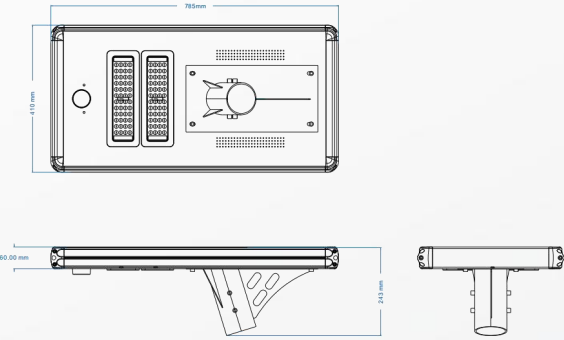
Space Between 2 Poles: 30m



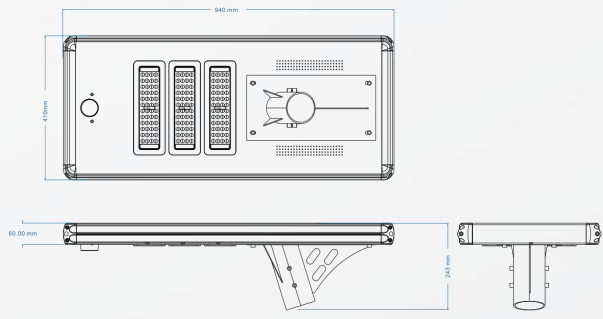
# Power Options

Different power for your choice

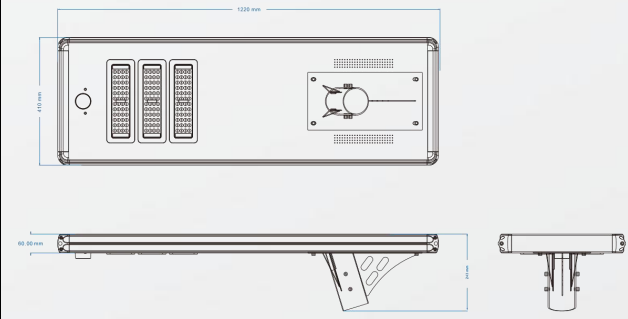
40W



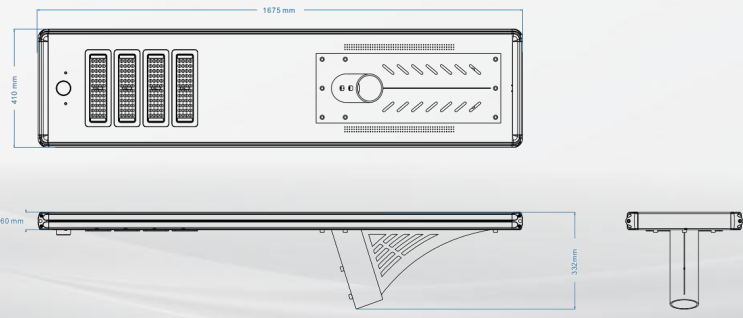
60W



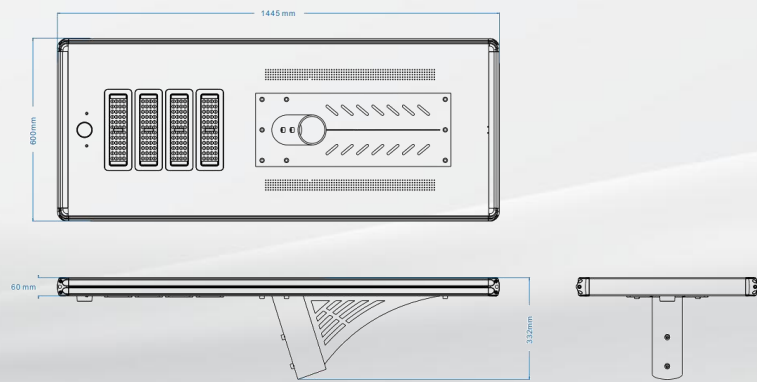
80W



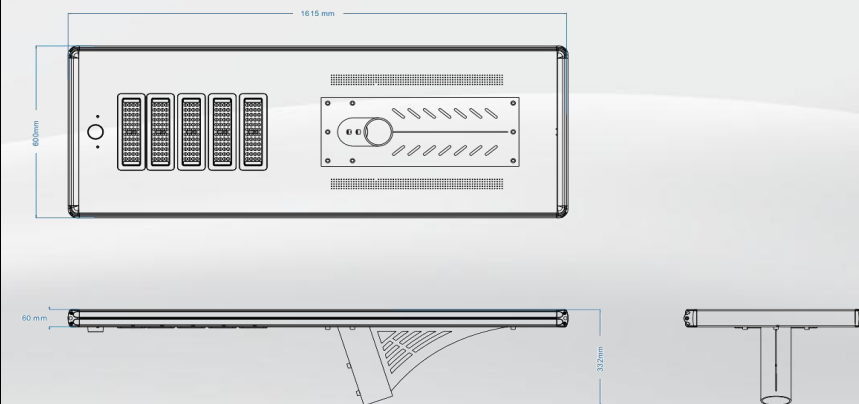
100W



120W

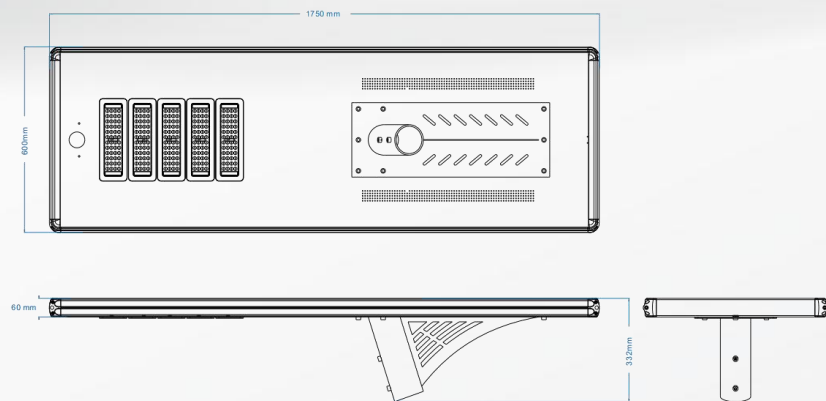


150W

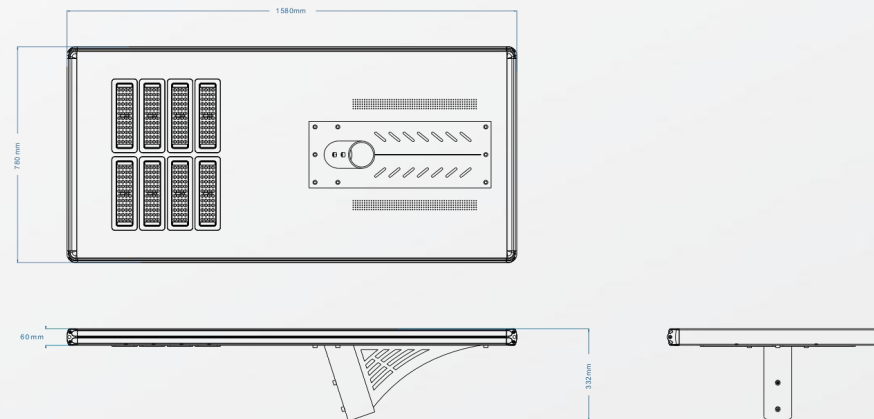


# Different power for your choice

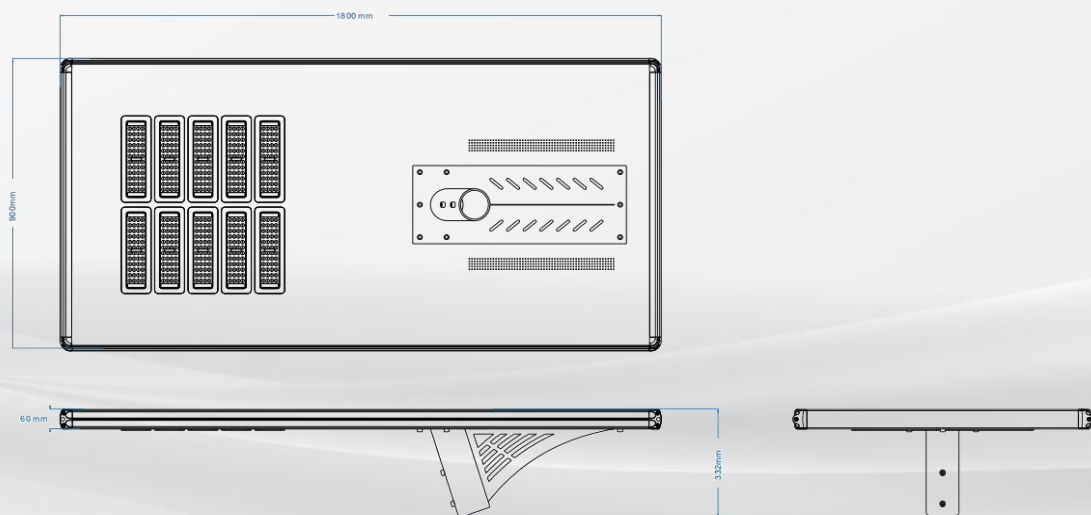
## 200W



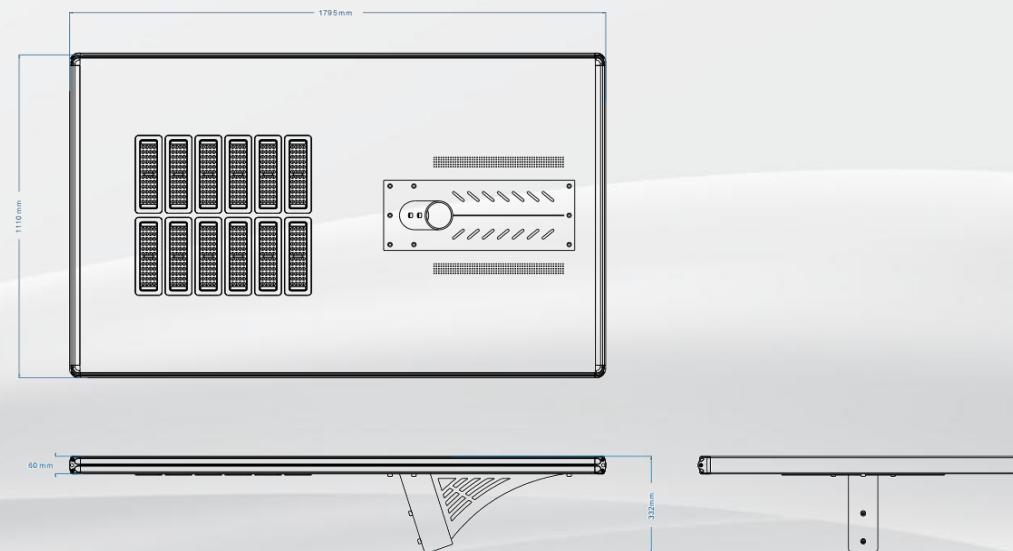
## 250W



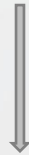
## 300W



## 400W



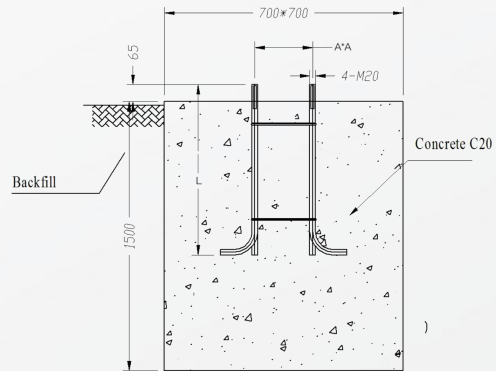
# Package Detail



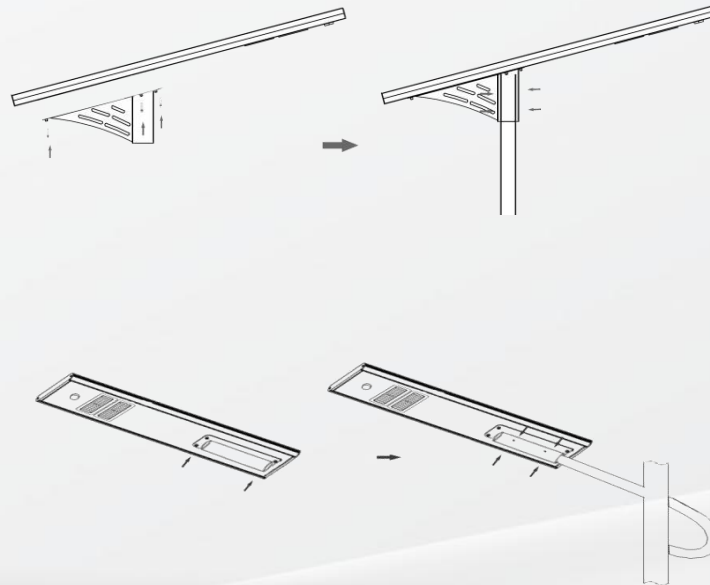
# Installation Instruction

## How to install the lamp?

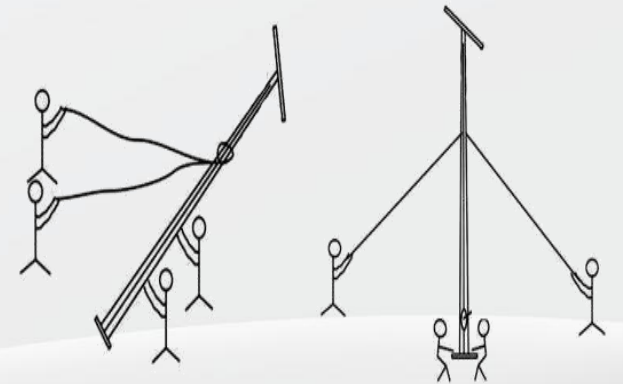
1. Dig a hole according to the size of the foundation cage, put the foundation cage into the hole and fix it with concrete.



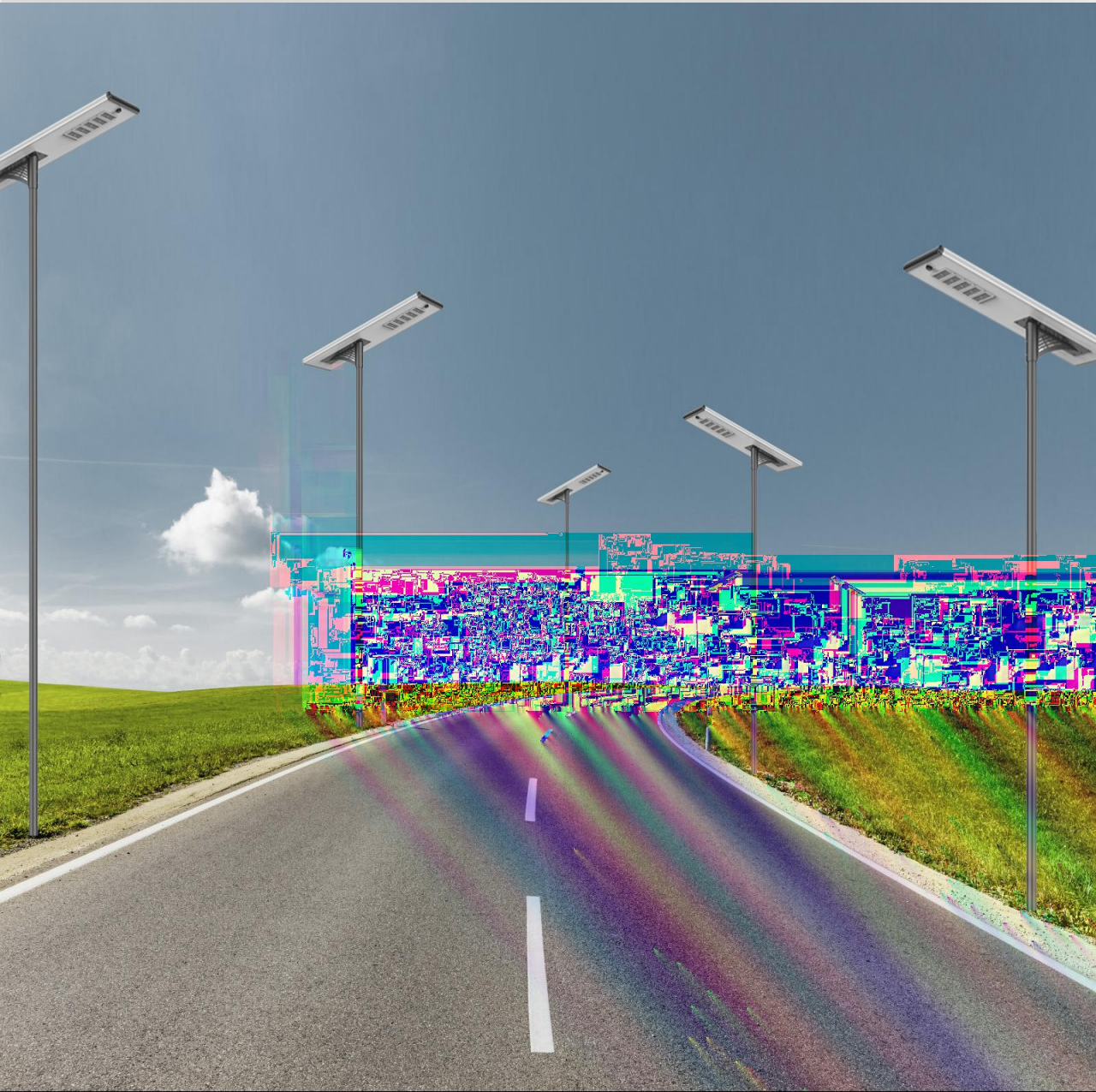
2. Installation Ways for Selections



3. Lift the lamp pole by the person or machine, align the bottom flange of the lamp pole with the foundation cage, and then fix the lamp pole with screws.



# Applications



A long, straight asphalt road stretches into the distance under a clear blue sky. The road is flanked by white streetlights on both sides. In the background, there are mountains and a desert landscape with sparse vegetation. The text "Thank you very much" is overlaid on the road in a bold, italicized font.

***Thank you very much***